



SCOPE: This specification is designed to protect both the rims and the "A" surface of these highly decorative polished alloy wheels from denting, scratching and pitting by completely encapsulating the rims with polystyrene rings. The Part's "A" surface is suspended inside the corrugated carton by the rings to eliminate any contact with the container wall.

APPLICATION: Alloy wheels with a base part 1007.

UNIT CONTAINER

MATERIAL

OPTION 1: • 32 ECT - 200 lb.C Flute recycled material

STYLE: • Regular Slotted Carton
• Used for existing wheels with low damage

SIZES:


Small Carton	
Equivelant Carton	Inside Dimension
2429C	20-1/8" x 20-1/8" x 10"
2429D	20-1/8" x 20-1/8" x 11-1/2"
2429I	20-1/8" x 20-1/8" x 12-7/8"

Large Carton	
Equivelant Carton	Inside Dimension
2429E	24-1/8" x 24-1/8" x 11"
2429F	24-1/8" x 24-1/8" x 12"
2429G	24-1/8" x 24-1/8" x 13"
2429H	24-1/8" x 24-1/8" x 14"
2429J	24-1/8" x 24-1/8" x 14-3/8"
2429K	24-1/8" x 24-1/8" x 10"

Revisions:

- 12-24-20 (DVB) revised Detail BB from half to full ring 24" x 24" x 3", revised illustration on pages 3 and 5.
- 3-30-20 (KLD) Added material suppliers on page 1. Added optional cartons on page 2.
- 11-18-14 (KLD) Added Detail K and taping instructions and illustration on page 3.
- 8-5-14 (KLD) Added Detail J.
- 4-23-14 (KLD) Added Detail I.
- 3-14-12 (KLD) Increased carton depth for details E, F, G, and H by 3/4".
- 9-21-11 (KLD) Deleted details A and B (Pop-up Trays) and AS and BS (Slip Sheets). Added details C, D, E, F, G, and H. Revised illustrations.
- 4-21-10 (KLD) Added pallet pattern on pages 3 and 4. Added slip sheets. Added band placement lines to trays.
- 10-27-09 (KLD) Added box makers certificate stamp to illustrations on page 3.

FORD MOTOR COMPANY, PACKAGING ENGINEERING, FORD CUSTOMER SERVICE DIVISION, 16800 EXECUTIVE PLAZA DRIVE, DEARBORN, MICHIGAN 48126

Designed	KLD	Approved	T. A. Kasper 	Date	10-15-09		12-24-20
----------	-----	----------	---	------	----------	--	----------



UNIT CONTAINER

**MATERIAL
OPTION 2:**

48 ECT Virgin BC Flute

STYLE:

- Full Overlap Carton
- Used for new model wheels, and existing wheels with high damage

SIZES:

Small Carton	
Detail	Inside Dimension
CDN0129	20-1/8" x 20-1/8" x 10"
CDN0130	20-1/8" x 20-1/8" x 11-1/2"
CDN0135	20-1/8" x 20-1/8" x 12-7/8"

Large Carton	
Detail	Inside Dimension
CDN0131	24-1/8" x 24-1/8" x 11"
CDN0132	24-1/8" x 24-1/8" x 12"
CDN0133	24-1/8" x 24-1/8" x 13"
CDN0134	24-1/8" x 24-1/8" x 14"
CDN0136	24-1/8" x 24-1/8" x 14-3/8"
CDN0137	24-1/8" x 24-1/8" x 10"

**APPROVED
CARTON
SUPPLIER:**

Pratt
32432 Capitol St, Livonia, MI 48150
(248) 486-4390

**APPROVED
FOAM RING
SUPPLIER:**

PDM
12424 Emerson Dr, Brighton, MI 48116
(248) 486-4390

RING PAD

See illustration on page 3.

MATERIAL:

Expanded Polystyrene

STYLE:

Injection molded with multiple steps

IMPRINTING:

Imprint pad detail number 2429AA in small ring and 2429BB in large half ring on the outer most lip as shown on page 2.

SIZES:

Detail AA: 20" x 20" x 2" (two (2) required per package). Used on 15", 16" and 17" wheels.
Detail BB: 24" x 24" x 3" (two (2) required per package). Used on 18", 19", 20" and 21" wheels.

PACKAGING

ILLUSTRATIONS: See illustrations on pages 4 and 5.

FORD MOTOR COMPANY, PACKAGING ENGINEERING, FORD CUSTOMER SERVICE DIVISION, 16800 EXECUTIVE PLAZA DRIVE, DEARBORN, MICHIGAN 48126

Designed

KLD

Approved

T. A. Kasper

Date

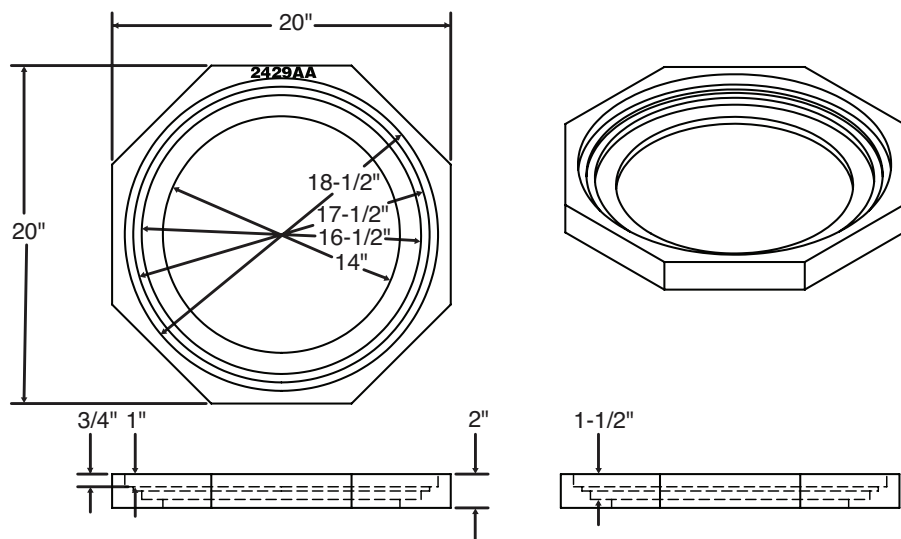
10-15-09

12-24-20

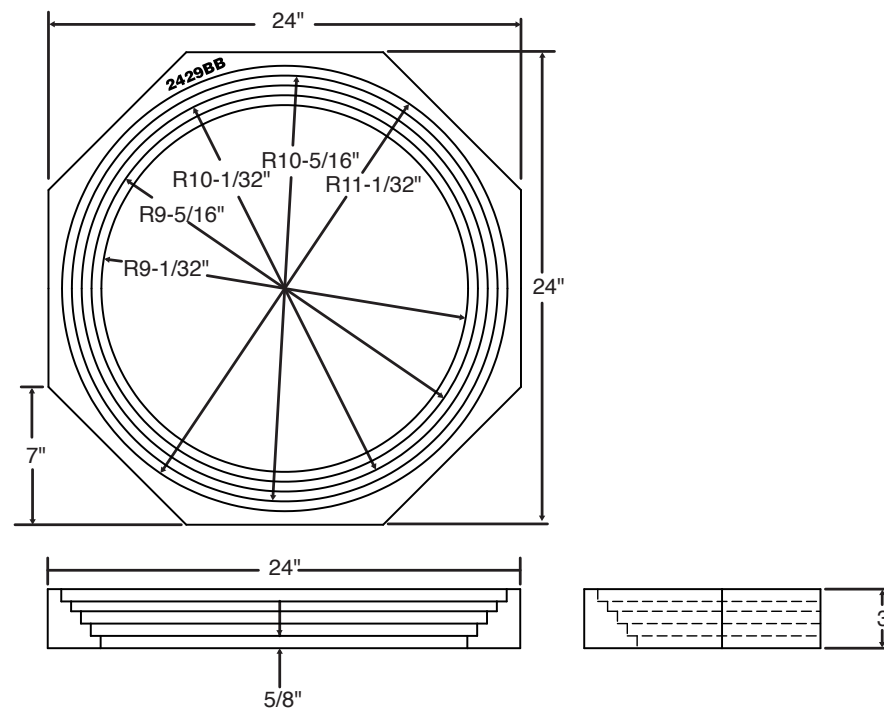


RING PAD ILLUSTRATIONS

DETAIL AA



DETAIL BB



FORD MOTOR COMPANY, PACKAGING ENGINEERING, FORD CUSTOMER SERVICE DIVISION, 16800 EXECUTIVE PLAZA DRIVE, DEARBORN, MICHIGAN 48126

Designed

KLD

Approved

T. A. Kasper

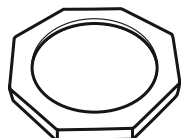
Date

10-15-09

12-24-20



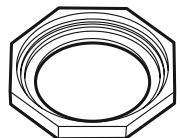
PACKAGING INSTRUCTIONS FOR WHEEL SIZES 15", 16" AND 17"



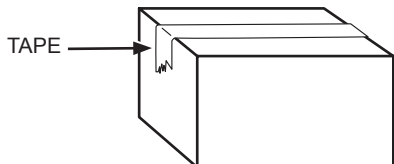
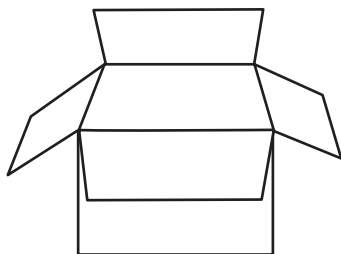
Detail AA - Ring pad top



Wheel

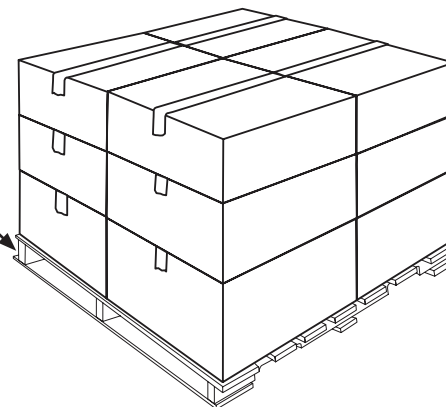


Detail AA - Ring Pad Bottom



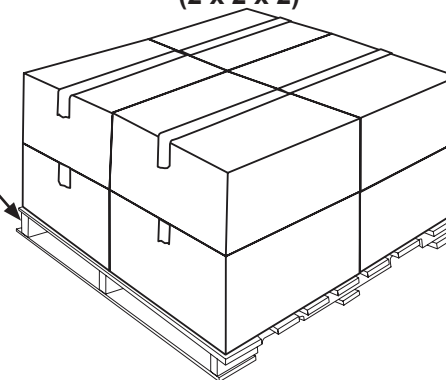
PALLET PATTERN FOR CARTON DETAILS 2429C AND 2429D OR CDN0129 (2 x 2 x 3)

1660B PALLET (42" X 48")



PALLET PATTERN FOR CARTON DETAIL 2429I OR CDN0130 AND CDN0135 (2 x 2 x 2)

1660B PALLET (42" X 48")



NOTE: Pallet loads must be stretch wrapped only, banding is prohibited.

FORD MOTOR COMPANY, PACKAGING ENGINEERING, FORD CUSTOMER SERVICE DIVISION, 16800 EXECUTIVE PLAZA DRIVE, DEARBORN, MICHIGAN 48126

Designed

KLD

Approved

T. A. Kasper

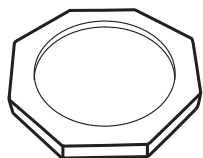
Date

10-15-09

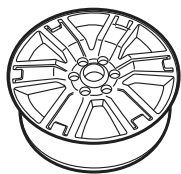
12-24-20



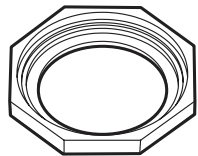
PACKAGING INSTRUCTIONS FOR WHEEL SIZES 18", 19", 20" AND 21"



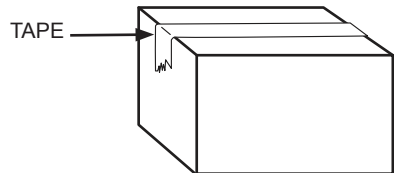
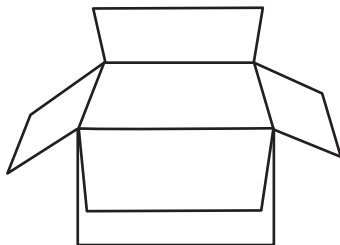
Detail BB - Ring pad top



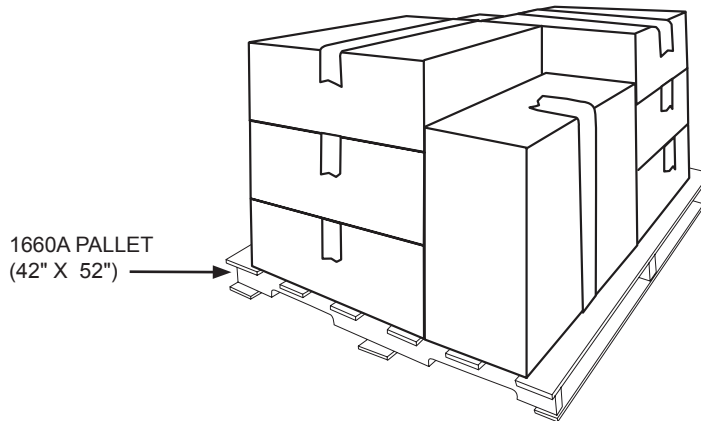
Wheel



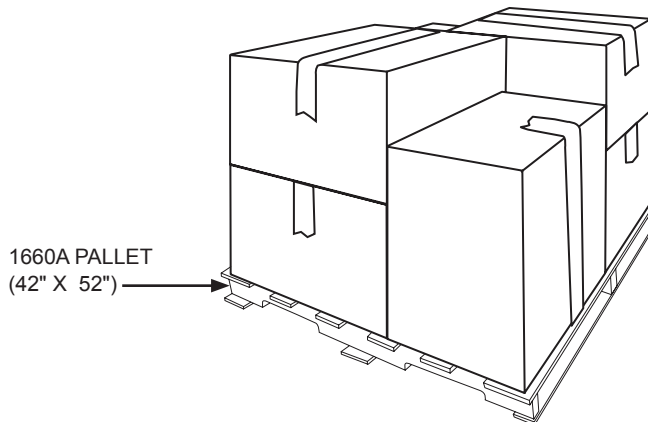
Detail BB - Ring Pad Bottom



PALLET PATTERN FOR CARTON DETAILS 2429E, 2429F AND 2429K OR CDN0137 (2 x 3) + (2 x 1 ONE EDGE)



PALLET PATTERN FOR CARTON DETAILS 2429G, 2429H AND 2429J OR CDN0131, CDN0132, CDN0133, CDN0134 AND CDN0136 (2 x 2) + (2 x 1 ONE EDGE)



NOTE: Pallet loads must be stretch wrapped only, banding is prohibited.

FORD MOTOR COMPANY, PACKAGING ENGINEERING, FORD CUSTOMER SERVICE DIVISION, 16800 EXECUTIVE PLAZA DRIVE, DEARBORN, MICHIGAN 48126

Designed

KLD

Approved

T. A. Kasper

Date

10-15-09

12-24-20