



LABEL

ORDERS: All label orders are done via a CCL web-based system.
https://brandsecurityoh.ccldesign.com/cgi-bin/wspd_cgi.sh/WService=qadcssprod/lg/lg_login.html

NEW FCSD

SUPPLIERS: New suppliers must register with CCL to access the web order form. Go to the link above and Click on "New User?"

Upon registration, CCL will send supplier account requests to FCSD for validation. After FCSD approval, CCL will notify suppliers with login instructions to place label orders.

All new FCSD Suppliers must review "New Part Nomenclature Label Overview" training video located at <http://web.pkginfo.ford.com> for detailed layout requirements for each branded label used on different packaging container types, i.e. Unit, Masterpack, and Sell Pack.

A. Instructions to the Purchaser of Labels

1. To insure uniform color, quality of material, availability and prompt delivery, Ford labels shall be purchased from the Ford approved label supplier.
2. Labels are coated with an aggressive acrylic adhesive. To avoid labels sticking to themselves during storage, on hand inventories should be minimized and regularly rotated, using oldest labels first. In addition, labels should be stored in a temperature controlled environment.

B. Instructions to the Label Manufacturer

1. Ford labels are printed in Corporate Blue (PMS301C), and Black and Motorcraft labels are printed in Red (Pantone 485C) and Black inks.
2. The corrugated shipping containers must be strong enough and deep enough to prevent vertical compression of the labels during shipment and storage.
3. Shipping container label must be dated and include a rotate stock notation.

REVISIONS:

- 11-10-21 Changed CCL registration URL from <http://www.cclbrandsecurity.com/new-account-form> to https://brandsecurityoh.ccldesign.com/cgi-bin/wspd_cgi.sh/WService=qadcssprod/lg/lg_login.html on page 1. Updated labels on pages 6 -7. (OVB)
- 9-17-20 Revised graphics on pages 4-7. (OVB)
- 1-28-20 Added new supplier requirements on page 1. (OVB)

SCOPE:

These labels are applied to service parts that can withstand the rigors of the FCSD parts distribution system without having to be packaged and still arrive at the customer location undamaged and in saleable condition, such as bare metal parts. The labels provide part branding and part number identification.

APPROVED SUPPLIER:

CCL Design
Address: 17700 Foltz Pkwy, Strongsville, OH 44149
Phone: (440) 476-1291
Email: cclfordbrandprotection@cclind.com

DETAILS:

FORD NEW LABEL #	MOTORCRAFT NEW LABEL #	H X L
LSB0003U	LSB0003V	2" x 12"
LSB0004U	LSB0004V	2" x 9-1/4"
LSB0005U	LSB0005V	2" x 12-1/2"
LSB0006U	LSB0006V	2" x 15-3/8"

NOTE:

Use LSB0001U and LSB0001V in place of LSB0002U and LSB0002V. Refer to FCSD Package Material Specification F-MFLSER.


PART

NOMENCLATURE: Refer to FCSD Package Material Specification PRINT requirements.

SECURITY:

Labels require a security feature as specified by FCSD Packaging Engineering.

FORD MOTOR COMPANY, PACKAGING ENGINEERING, FORD CUSTOMER SERVICE DIVISION, 28301 SCHOOLCRAFT ROAD, BUILDING 300, LIVONIA, MI 48150

Designed JS	Approved T.A. Kasper 	Date 12-12-18	Revised 11-10-21
----------------	--------------------------------------------------------------------------------------------------------------	------------------	---------------------



<u>Physical Properties</u>	<u>Label Details</u>	
Material: Format: Ribbon:	All All All	3.8-mil hard white matte thermal transfer top coated polypropylene. Die cut labels on a continuous roll. A wax/resin hybrid thermal transfer ribbon is required. The optimum setting maximum printer speed 4/IPS (inches per second) so as not lose image quality.
Adhesion Properties: track.	All	Peel adhesion is 4.3 lbs. on stainless 24 hour dwell, 2.0 lbs. loop
Expected Exterior Life: Range:	All All	Service Temp -40 F to 300 F
Minimum Application Temperature	All	25 F
Adhesive:	LSB0003U/V LSB0004U/V LSB0005U/V, LSB0006U/V	*1.0-mil solvent-based medium tack acrylic adhesive (#0232)
Liner:	LSB0003U/V LSB0004U/V LSB0005U/V, LSB0006U/V	50# SP50K/Q9
Carrier:	LSB0003U/V LSB0004U/V LSB0005U/V, LSB0006U/V	3.25" wide (2 across) *For LSB0004U/V LSB0005U/V, LSB0006U/V only, the label contains a UV based deadner.

FORD MOTOR COMPANY, PACKAGING ENGINEERING, FORD CUSTOMER SERVICE DIVISION, 28301 SCHOOLCRAFT ROAD, BUILDING 300, LIVONIA, MI 48150

Designed JS	Approved T.A. Kasper	Date 12-12-18	Revised 11-10-21
----------------	-------------------------	------------------	---------------------



**PART
NOMENCLATURE**

IMPRINTING:

The service parts packager is to imprint the part nomenclature data and applicable bar code. For part nomenclature sizing and location refer to Material Specifications PRINT (NEW) and for bar code sizing refer to Material Specification L1569.

**LABEL SIZE
SELECTION:**

Unless otherwise required on individual service part packaging specifications, selection of the appropriate label detail will be the responsibility of the service parts packager based upon service part characteristics. The LSB0001U/V label is the preferred option. It should accommodate most identification requirements. Details LSB0003U/V LSB0004U/V LSB0005U/V, LSB0006U/V are available for use on parts with configurations that preclude the use of the LSB0001U/V.

LABEL

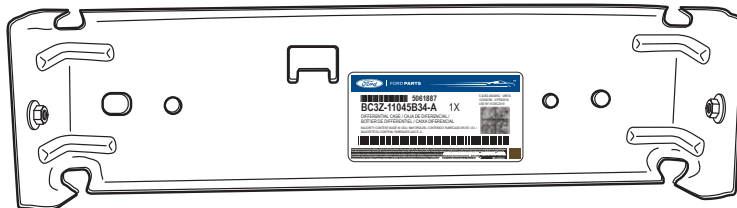
APPLICATION:

Care must be taken when affixing labels to service parts to assure long-term retention and readability.

LSB0001U/V Application Guidelines

- Locate labels on Class B surfaces in easy to read locations – DO NOT PLACE LABELS ON FINISHED SURFACES.
- Avoid affixing labels to greasy, oily or felt surfaces of the part.
- On parts that require liquid rust preventatives, affix labels only after first applying the rust preventative and after parts have dried

Appropriate Labeling



Inappropriate Labeling



NOTE: Use LSB0001U and LSB0001V in place of LSB0002U and LSB0002V. Refer to FCSD Package Material Specification F-MFLSER.

FORD MOTOR COMPANY, PACKAGING ENGINEERING, FORD CUSTOMER SERVICE DIVISION, 28301 SCHOOLCRAFT ROAD, BUILDING 300, LIVONIA, MI 48150

Designed JS	Approved T.A. Kasper	Date 12-12-18	Revised 11-10-21
----------------	-------------------------	------------------	---------------------

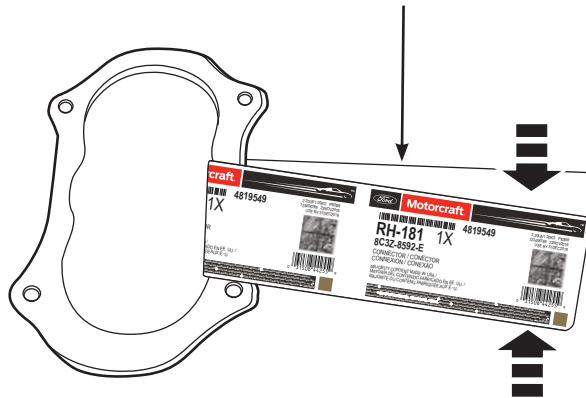


LSB0003U/V Application Guidelines

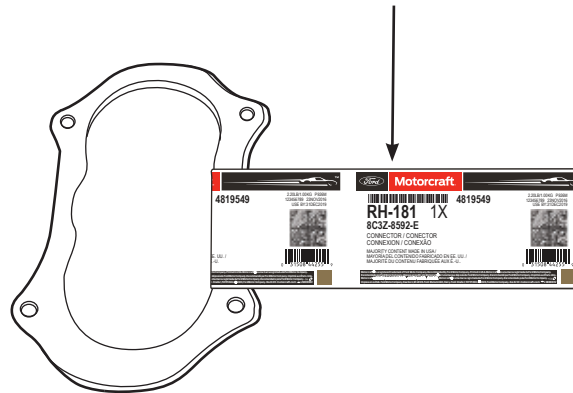
- This label is designed for service parts whose configurations prevent the use of the LSB0001U/V (4" label).
- This label can only be used to flag parts with an adhesive-to-adhesive contact, i.e. assure that the label is squarely affixed to itself as misalignment will permit labels to stick to other stock in the masterpack and/or in the warehouse storage bins.
- To ensure scanability, at least one complete bar code must appear on the flagged portion of the label.
- Avoid flagging through machined holes or around sharp edges to avoid tearing the label.

Appropriate Labeling

NOTE: SQUARELY AFFIXED TO ITSELF

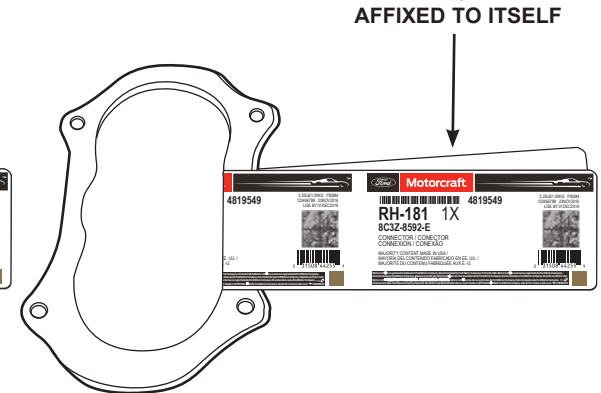


NOTE: LABEL IS SQUARELY AFFIXED TO ITSELF




Inappropriate Labeling

NOTE: ADHESIVE EXPOSED BECAUSE LABEL IS NOT SQUARELY AFFIXED TO ITSELF



FORD MOTOR COMPANY, PACKAGING ENGINEERING, FORD CUSTOMER SERVICE DIVISION, 28301 SCHOOLCRAFT ROAD, BUILDING 300, LIVONIA, MI 48150

Designed	JS	Approved	T.A. Kasper 	Date	12-12-18	Revised	11-10-21
----------	----	----------	--------------------------------------------------------------------------------------------------	------	----------	---------	----------



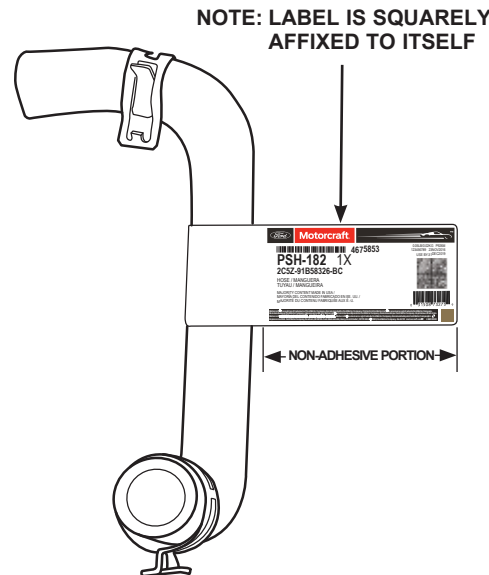
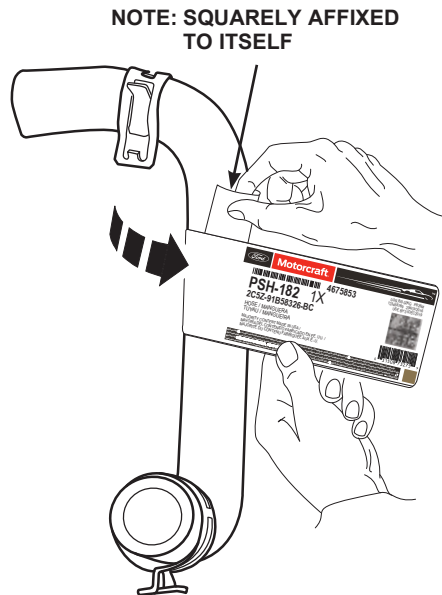
LSB0004U/V, LSB0005U/V, LSB0006U/V Application Guidelines

- This label is constructed with a non-adhesive tail that will display the part branding, part nomenclature and the complete bar code.

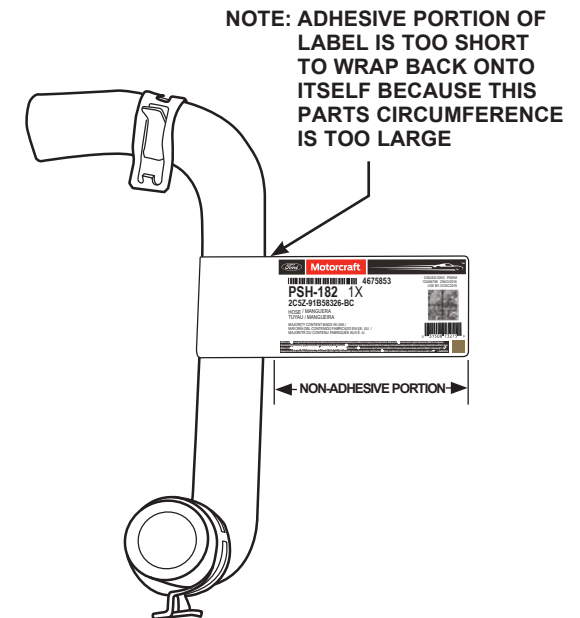
NOTE: The tail portion contains a UV based adhesive deadner with the tips of the end of the label containing a medium tack adhesive which is required to assure the labels adhere to the release paper during the printing processes at both the label manufacturer and the parts packager. See illustrations on pages 6 and 7.

- The label is designed so that the adhesive portion must be completely wrapped around the part and back onto itself, and failure to do so will risk the label falling off the part.
- Typical service part applications include hoses and tubes, and care must be used to select a label size where the adhesive portion of the label exceeds the circumference of the part being wrapped.

Appropriate Labeling



Inappropriate Labeling



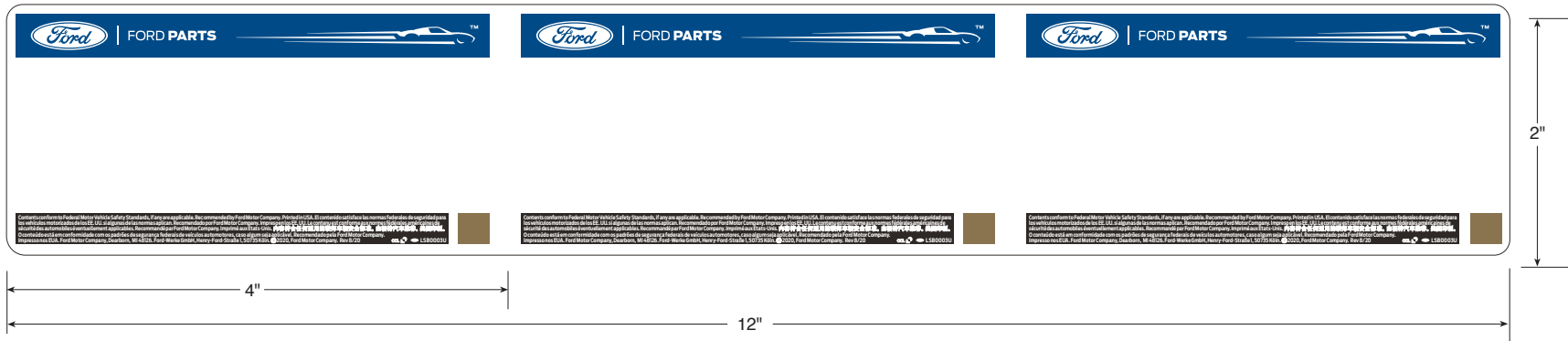
FORD MOTOR COMPANY, PACKAGING ENGINEERING, FORD CUSTOMER SERVICE DIVISION, 28301 SCHOOLCRAFT ROAD, BUILDING 300, LIVONIA, MI 48150

Designed JS	Approved T.A. Kasper	Date 12-12-18	Revised 11-10-21
----------------	-------------------------	------------------	---------------------

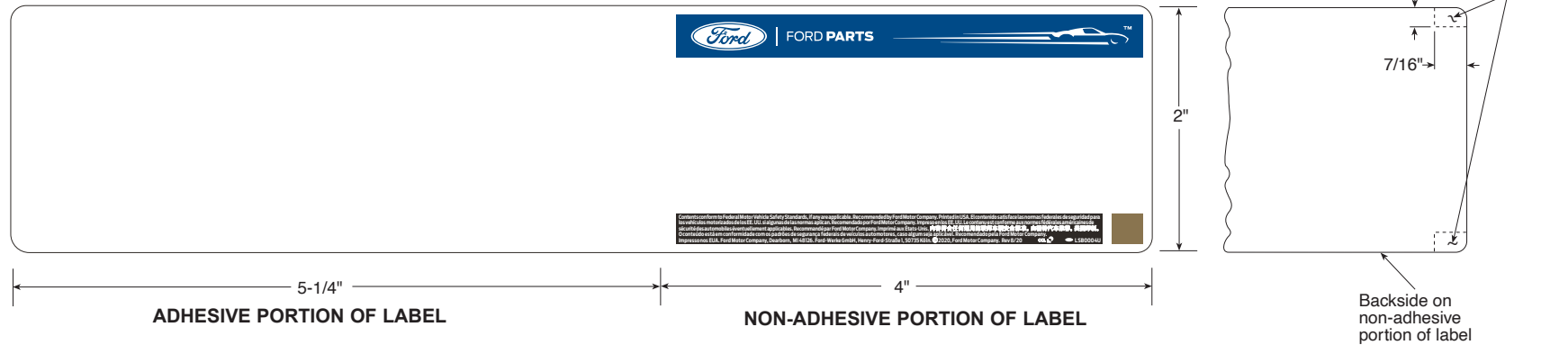


Typical Ford Example

LSB0003U



LSB0004U



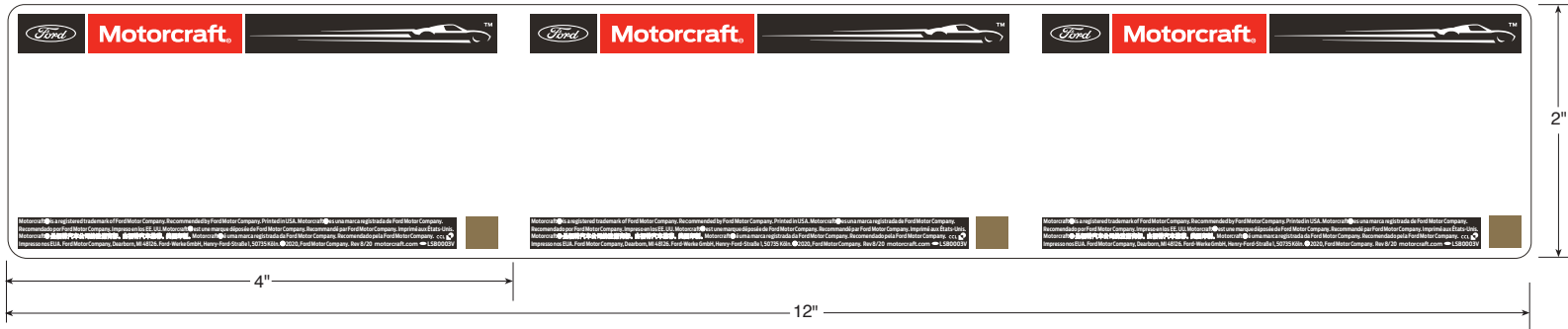
FORD MOTOR COMPANY, PACKAGING ENGINEERING, FORD CUSTOMER SERVICE DIVISION, 28301 SCHOOLCRAFT ROAD, BUILDING 300, LIVONIA, MI 48150

Designed JS	Approved T.A. Kasper	Date 12-12-18	Revised 11-10-21
----------------	-------------------------	------------------	---------------------

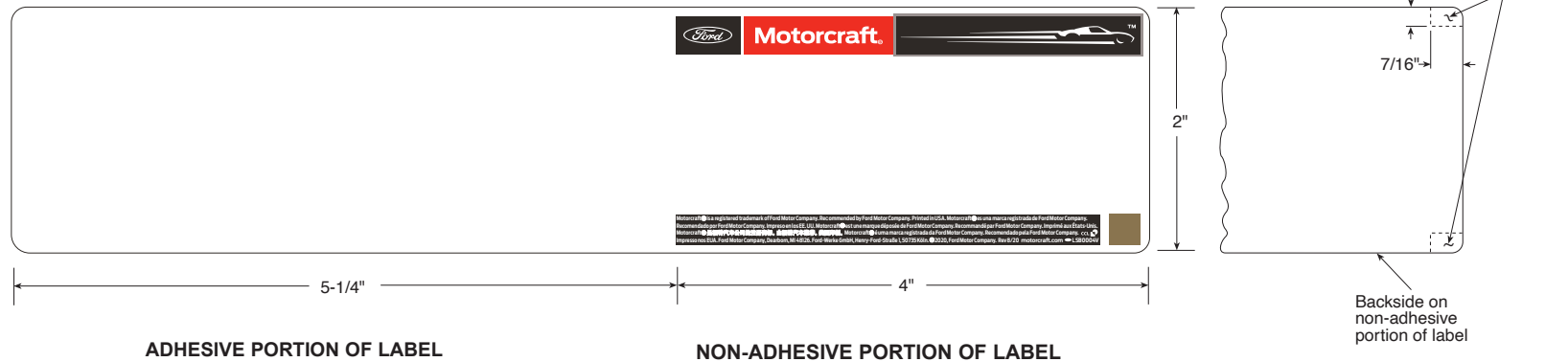


Typical Motorcraft Example

LSB0003V



LSB0004V



FORD MOTOR COMPANY, PACKAGING ENGINEERING, FORD CUSTOMER SERVICE DIVISION, 28301 SCHOOLCRAFT ROAD, BUILDING 300, LIVONIA, MI 48150

Designed JS	Approved T.A. Kasper	Date 12-12-18	Revised 11-10-21
----------------	-------------------------	------------------	---------------------